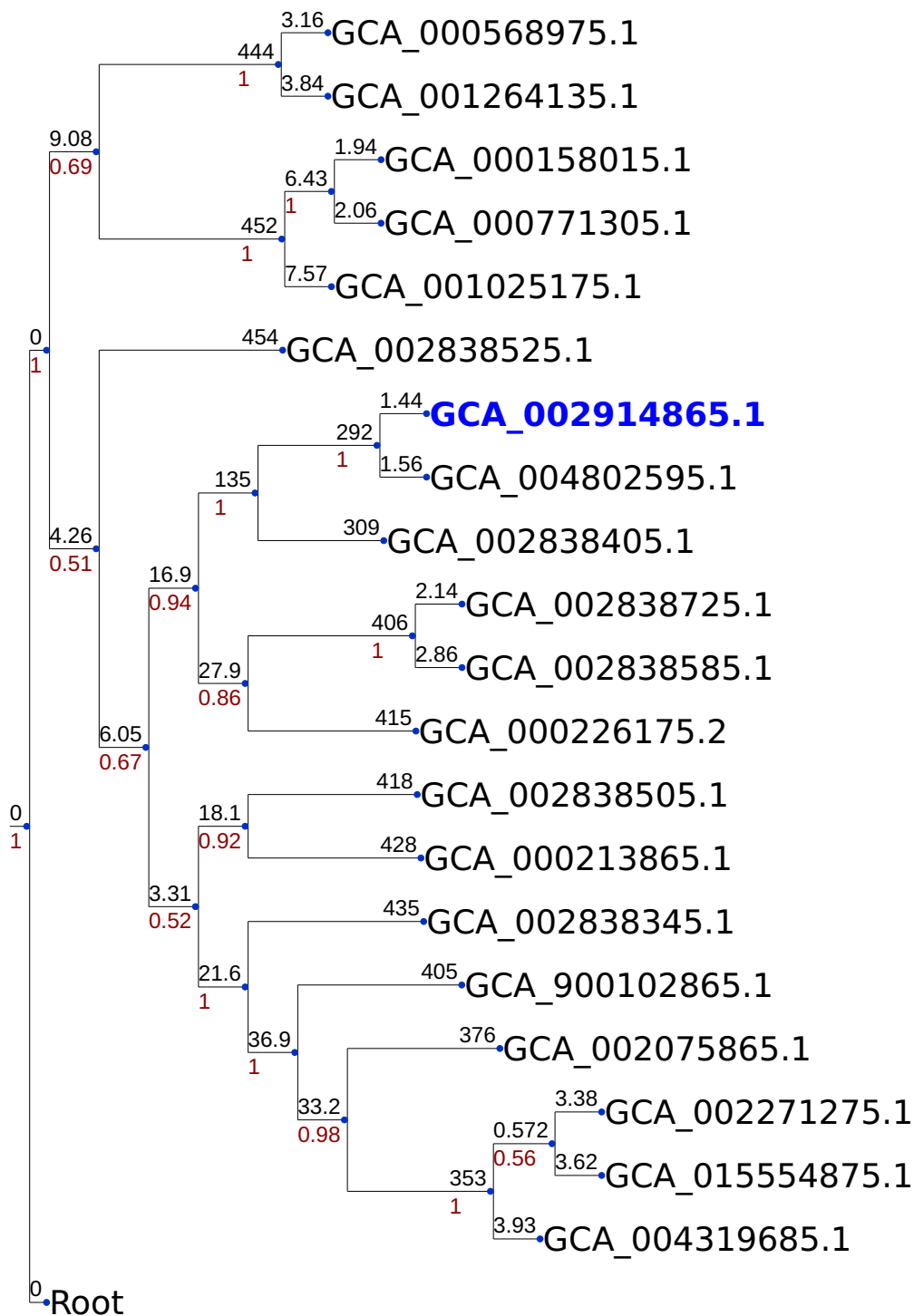


# NJ tree generated by a cgMLST analysis

(1109 loci)



250